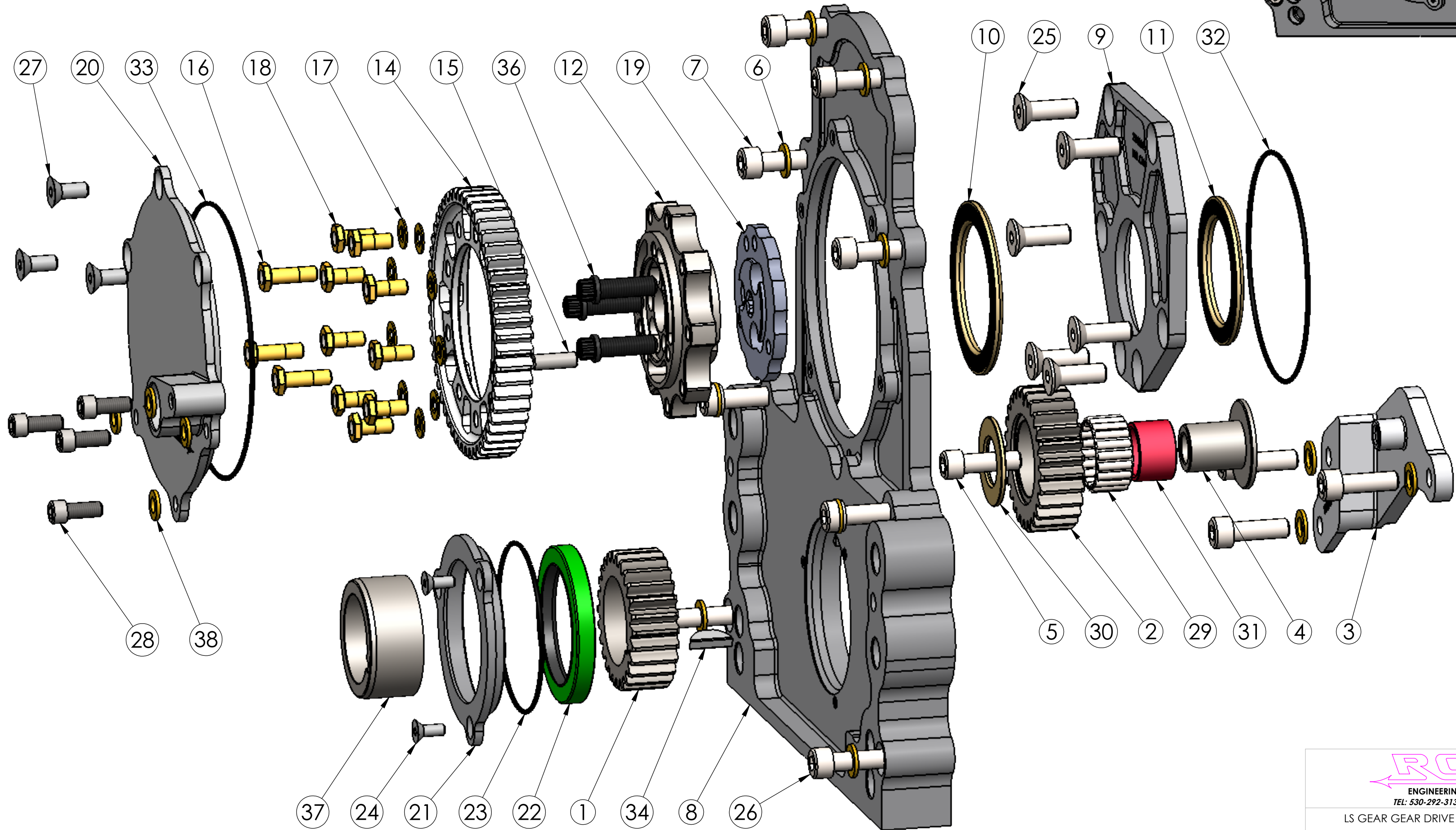
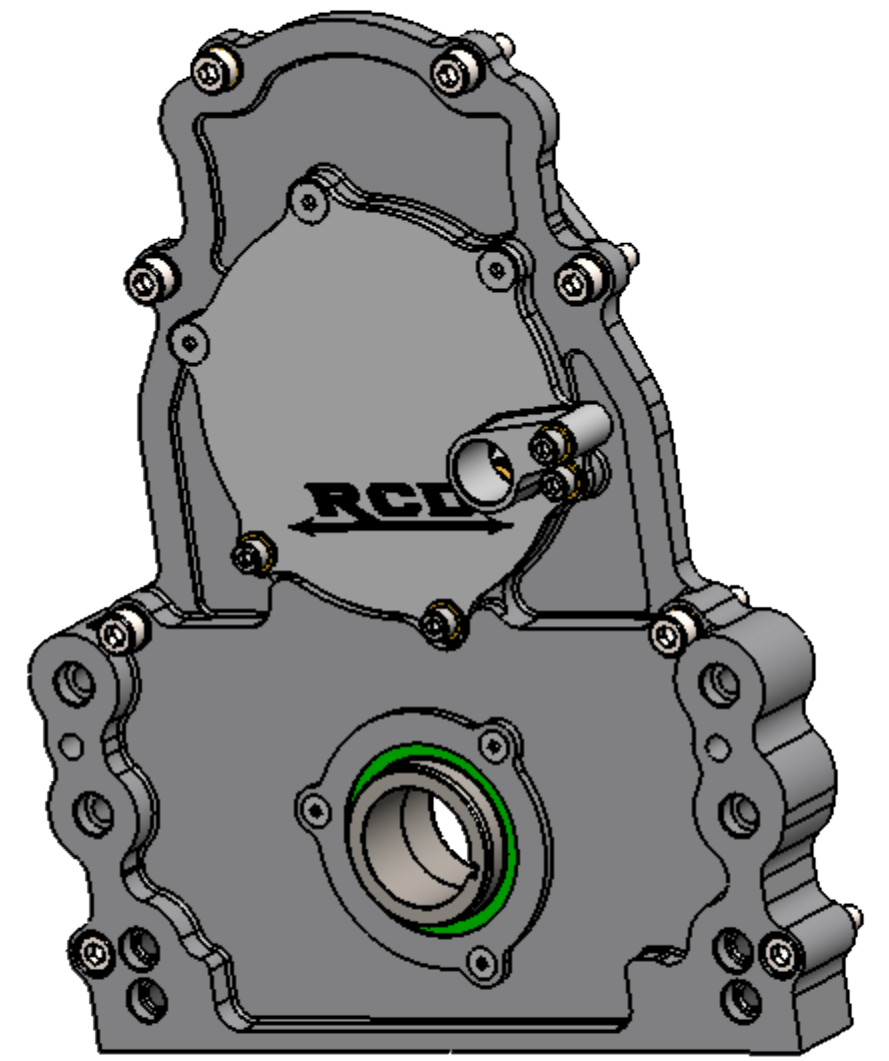


ITEM	PART NO.	DESCRIPTION	QTY.
1	250521-26	CRANK GEAR LSX CHEV	1
2	250521-36	IDLER GEAR SMALL BLOCK CHEVY 27 TOOTH 12 DP	1
3	251511-12	IDLER GEAR BRACKET LS7 TALL CAM	1
4	251506-25	AXLE IDLER GEAR LS	1
5	357331-16	SHCS 5/16-24 x 1.0	1
6	352503-05	5/16 AN WASHER	11
7	356898-25	M8-1.25 x 25 SHCS	7
8	253516-32	GEAR DRIVE COVER W-SUPPORT LS TALL CAM	1
9	251026-24	RLP-RHS CAM THRUST PLATE	1
10	350590-65	2.125 X 2.895 X 0.141 ONE PC THRUST BRG W-RACES	1
11	350590-42	1.75 X 2.5 X 0.141 ONE PC THRUST BRG W-RACES	1
12	251526-07	CAM HUB LSX CHEV	1
13	250400-03	CAM SYNC 4 LUMPS	1
14	250521-65	CAM GEAR 52 TOOTH 12 DP 9 HOLE VERNIER	1
15	353513-12	1/4 X 0.75 DOWEL PIN	1
16	357625-14	Hex Head Bolt 1/4-28 x .816	3
17	352515-04	1/4 AN WASHER 0.03 THK	9
18	357625-09	NAS1104-4 Hex Head Bolt 1/4-28 X .566	9
19	250400-04	CAM SYNC HUB W-.375 HEX LS	1
20	300205-21	CAM COVER LS7 W-CAM SENSOR	1

ITEM	PART NO.	DESCRIPTION	QTY.
21	250540-14	SEAL HOUSING CRANK LSX	1
22	351505-52	2.00 X 2.627 X 0.313 SEAL NEOPRENE 2 LIP	1
23	351550-39	039 "O" RING 0.07 X 2.75	1
24	356810-08SS	10-32 X 0.50 FHCS	3
25	356899-17	M8-1.25 x 25 FHCS	6
26	356898-35	M8-1.25 X 35 SHCS	4
27	356925-10SS	1/4-20 x 0.625 FHCS	3
28	357425-10SS	1/4-20 x 0.625 SHCS STAINLESS	4
29	350555-20	47 x 20 x 19.8 ROLLER BRG	1
30	350555-20	BRG ROLLER NAST 20ZZ	1
31	350555-20	BRG ROLLER INNER RACE NAST 20ZZ	1
32	351550-44	044 "O" RING 0.07 X 3.75	1
33	351550-47	047 "O" RING 0.07 X 4.50	1
34	354510-12	CRANK GEAR WOODRUFF KEY CUT DOWN .188 WIDE	1
35	351569-15	AN 103 'O' RING 0.103 x 30IN ROPE LS-T	1
36	356331-16	5/16-18 X 1.0 12PT	3
37	204003-17	CRANK HUB SPACER	1
38	352503-04	1/4 AN WASHER	4



ENGINEERING INCORPORATED
 TEL: 530-292-3133 - FAX: 530-292-3738
 LS GEAR GEAR DRIVE TALL W-CRANK SUPPORT